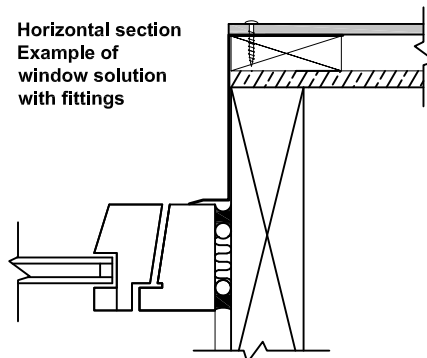
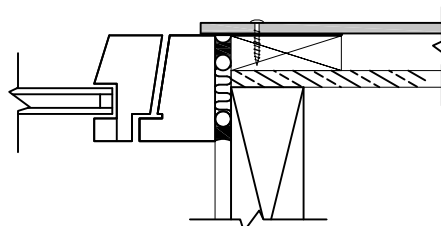


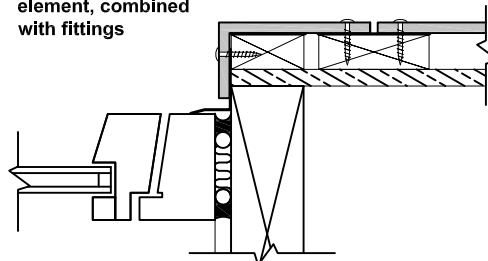
Horizontal section
Example of
window solution
with fittings



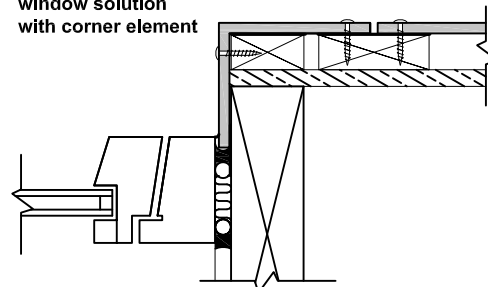
Horizontal section
Example of window
solution with window
fixed in the same level
as the facade



Horizontal section
Example of window
solution with corner
element, combined
with fittings



Horizontal section
Example of
window solution
with corner element



T:\03_Detaljtegninger\F5 detaljer\DWG\F5100_EN_02052016.dwg.

FS 100_2
Section of window solution

Issued by/Tegnet av:
JMK

Date of issue/Tegnet dato:
02.05.2016

Scale/Målestokk:
1:5



steni as
Tlf.: +47 3315600
www.steni.com